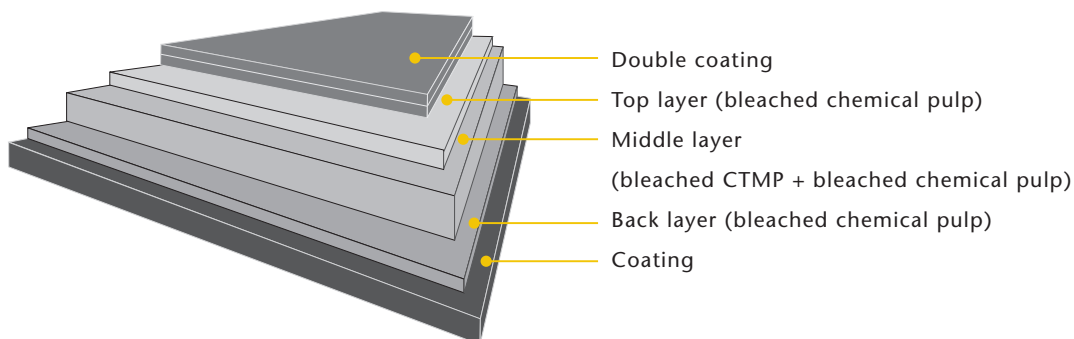


Coated graphical board



ISO 9001

Specifications for Aurocard:

Property / Unit	Tolerance										Standards
Grammage, g/m ²	± 5%	200	220	240	260	280	300	325	350		ISO 536
Thickness, µm	± 5%	260	290	330	365	400	430	470	515		ISO 534
Bending stiffness DIN 5° MD, mNm	- 15%	10.6	15.7	22.2	28.9	35.9	43.3	51.9	61.4		ISO 2493
Bending stiffness DIN 5° CD, mNm	- 15%	5.1	7	10	12.6	15.5	18.5	23.8	30.8		
Bending moment Taber 15° MD, mNm	- 15%	6.0	8.8	11.6	15.3	19.3	23.4	28.6	33.8		
Bending moment Taber 15° CD, mNm	- 15%	2.9	4.2	5.4	6.9	8.8	10.7	13.5	16.6		
Bending resistance L&W 15° MD, mN	- 15%	121	182	241	316	400	484	592	699		
Bending resistance L&W 15° CD, mN	- 15%	60	86	112	144	181	221	279	343		
Moisture, %	± 1%	6.5	6.5	6.5	6.5	6.5	6.5	6.5	6.5		ISO 287
ISO Brightness C/2°, %, top	min.88	91.5	91.5	91.5	91.5	91.5	91.5	91.5	91.5		ISO 2470
ISO Brightness C/2°, %, reverse	min.85	88.5	88.5	88.5	88.5	88.5	88.5	88.5	88.5		
Brightness D65/10°, %		98.5	98.5	98.5	98.5	98.5	98.5	98.5	98.5		SCAN-P3
CIE Whiteness D65/10°, top		118	118	118	118	118	118	118	118		ISO 11475
CIE Whiteness D65/10°, reverse		108	108	108	108	108	108	108	108		
Surface Smoothness, PPS 10, µm, top		1.0	1.0	1.0	1.0	1.0	1.0	1.0	1.0		ISO 8791-4
Surface Smoothness, PPS 10, µm, reverse		4.0	4.0	4.0	4.0	4.0	4.0	4.0	4.0		
Surface Smoothness, Bendtsen, ml/min		30	30	30	30	30	30	30	30		ISO 8791-2
Gloss 75, %		45	45	45	45	45	45	45	45		ISO 8254-1
Scott Bond, J/m ²		200	200	200	200	200	200	200	200		TAPPI 569 pm-00

All properties according to Imatra Mill measurements.

Test climate 23°C/50% RH (According to ISO 187). In order to verify, reel/pallet average shall be based on 5 single measurements randomly sampled within the reel/pallet. These averages will be for at least 19 of 20 reels/pallets within the specification limits.

Imatra Mills have certified FSC and PEFC Chain-of-Custody (CoC) systems as well as certified hygiene management system.

FSC: Certificate registration code SA-COC-001548 and SA-CW-001548
PEFC: Certificate registration no. 46786-2009-AE-FIN-FINAS

For more information contact your local sales office.

